



Town of Three Rivers
Queens Road Sidewalk Upgrades
CONTRACT NO. 242652.00
ADDENDUM NO. 3

March 4, 2025

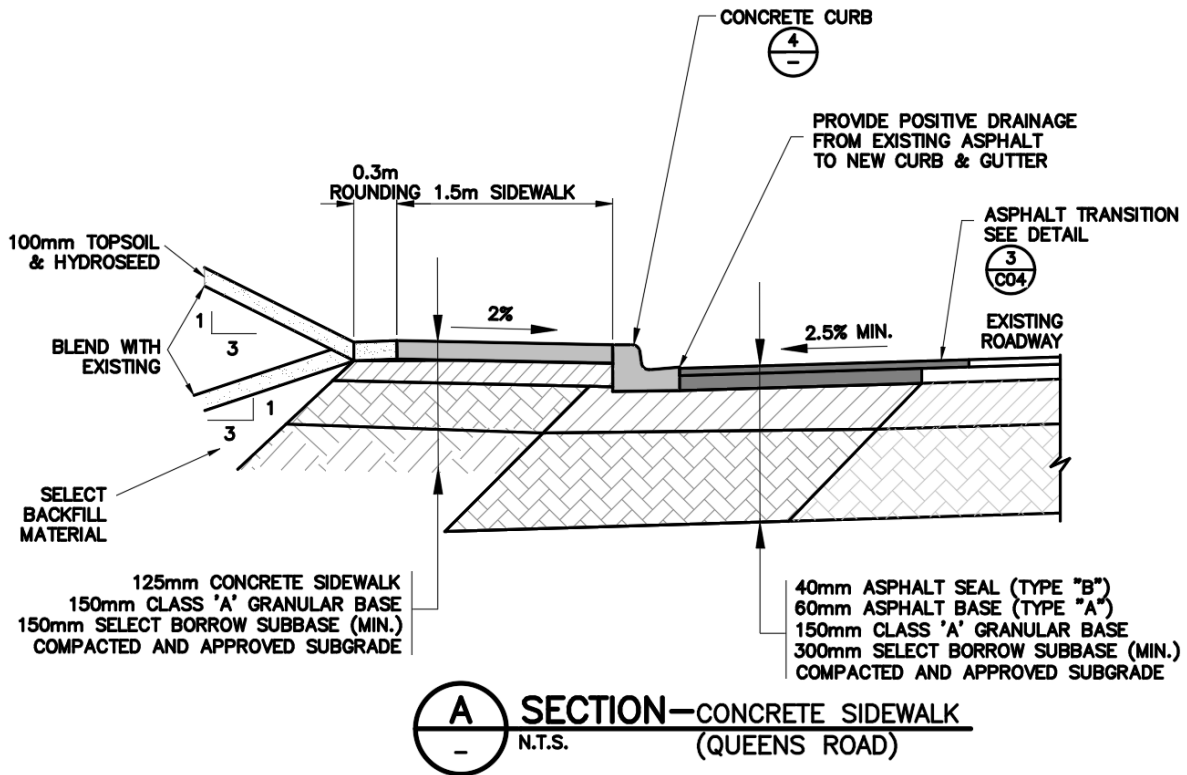
(To be added to and made part of the Tender Documents)

The following changes or modifications shall be made to the Tender Documents:

TO THE DRAWINGS

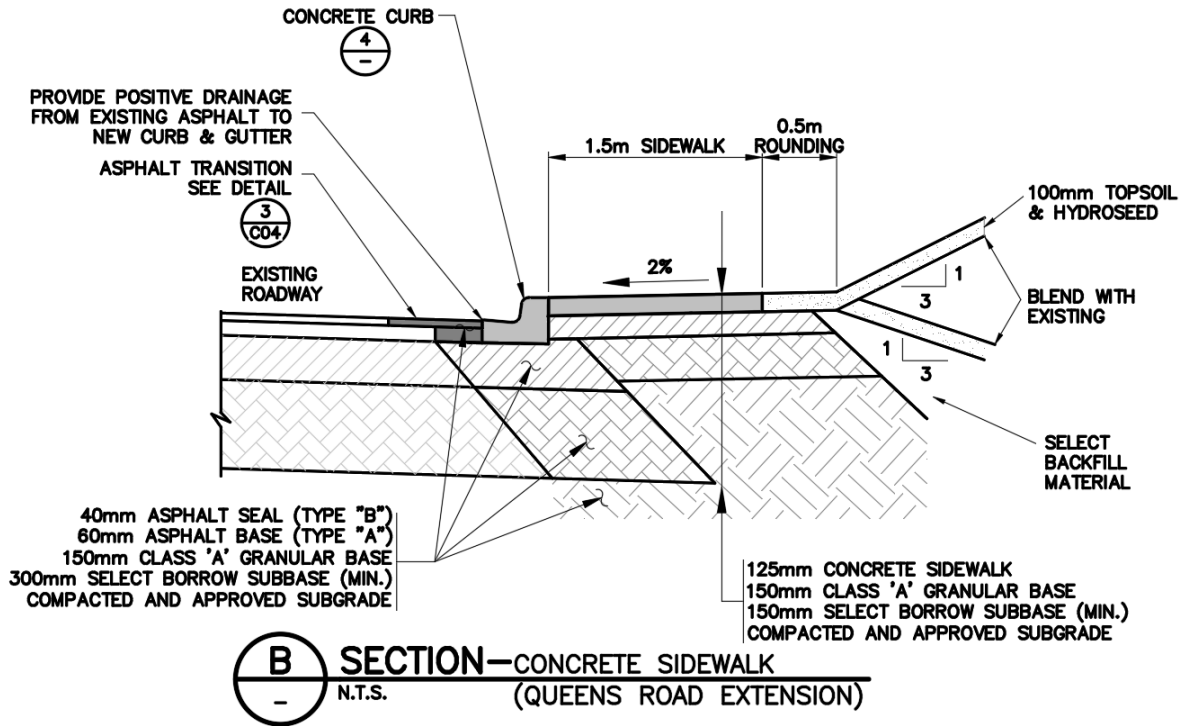
Drawing C05


1. Delete Section A – Concrete Sidewalk (Queens Road) and replace with the following.





- 2. Delete Section B – Concrete Sidewalk (Queens Road Extension) and replace with the following.




Timothy Gallant, P.Eng.
CBCL Limited
March 04, 2025